



Enhancing everyday living



ENGINEERING SUBMITTAL DATA SHEET

Top entry point of use electric compact water heater

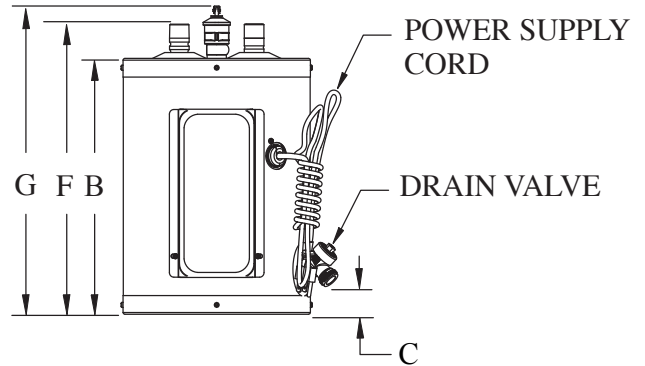
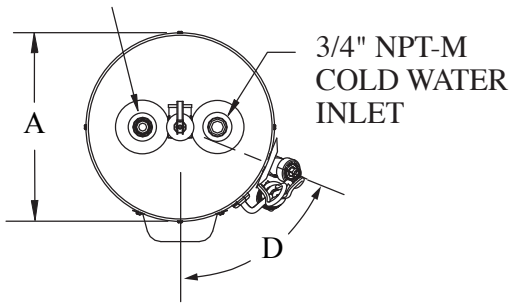
103ETE MODEL

2 imperial gallons / 10 litres
insulated with 1" fiberglass

This model meets or exceeds the safety and construction requirements of CSA 22.2 Standard

Model	Storage Capacity			Input	Voltage	Diameter (A) In. (cm)	Height (B) In. (cm)	C In. (cm)	D	E	F In. (cm)	G In. (cm)	Plumbing connections	Est. ship. wt. lb (kg)
	US gal.	Litres	Imp. gal.											
103ETE-1R3N	2.5	10	2	1,500 W	120 V	10 (25)	13¾ (35)	2 (5)	68,4"	—	15½ (40)	16½ (42)	¾" NPT	22 (10)

¾" NPT-M
HOT WATER OUTLET
COMBINATION ANODE



JOB TITLE

ADDRESS

CONTRACTOR

ADDRESS

ENGINEER

SUBMITTED DATE

REQUIRED PRODUCT

MODEL NO. SIZE QUANTITY

MODEL NO. SIZE QUANTITY

MODEL NO. SIZE QUANTITY

MODEL NO. SIZE QUANTITY

REQUIRED DATE

In accordance with our company policy of on-going product improvement, Giant Factories Inc. reserves the right to make changes without prior notice.

giantinc.com



40 Lesage Avenue, Montréal-East (Québec) Canada H1B 5H3 • Telephone: (514) 645-8893 • Fax: (514) 640-0969